

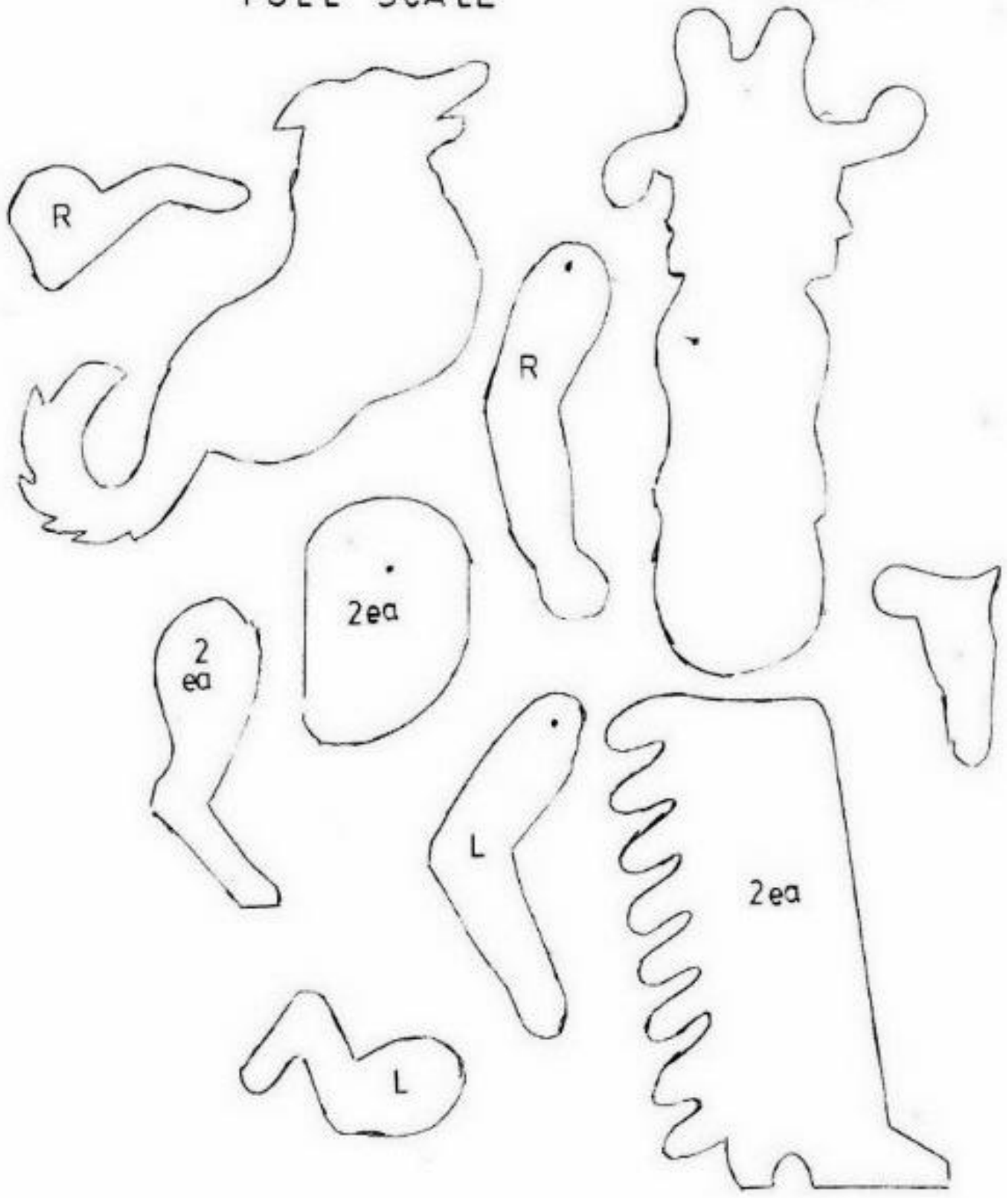
*Here is a set of
Plans
from*

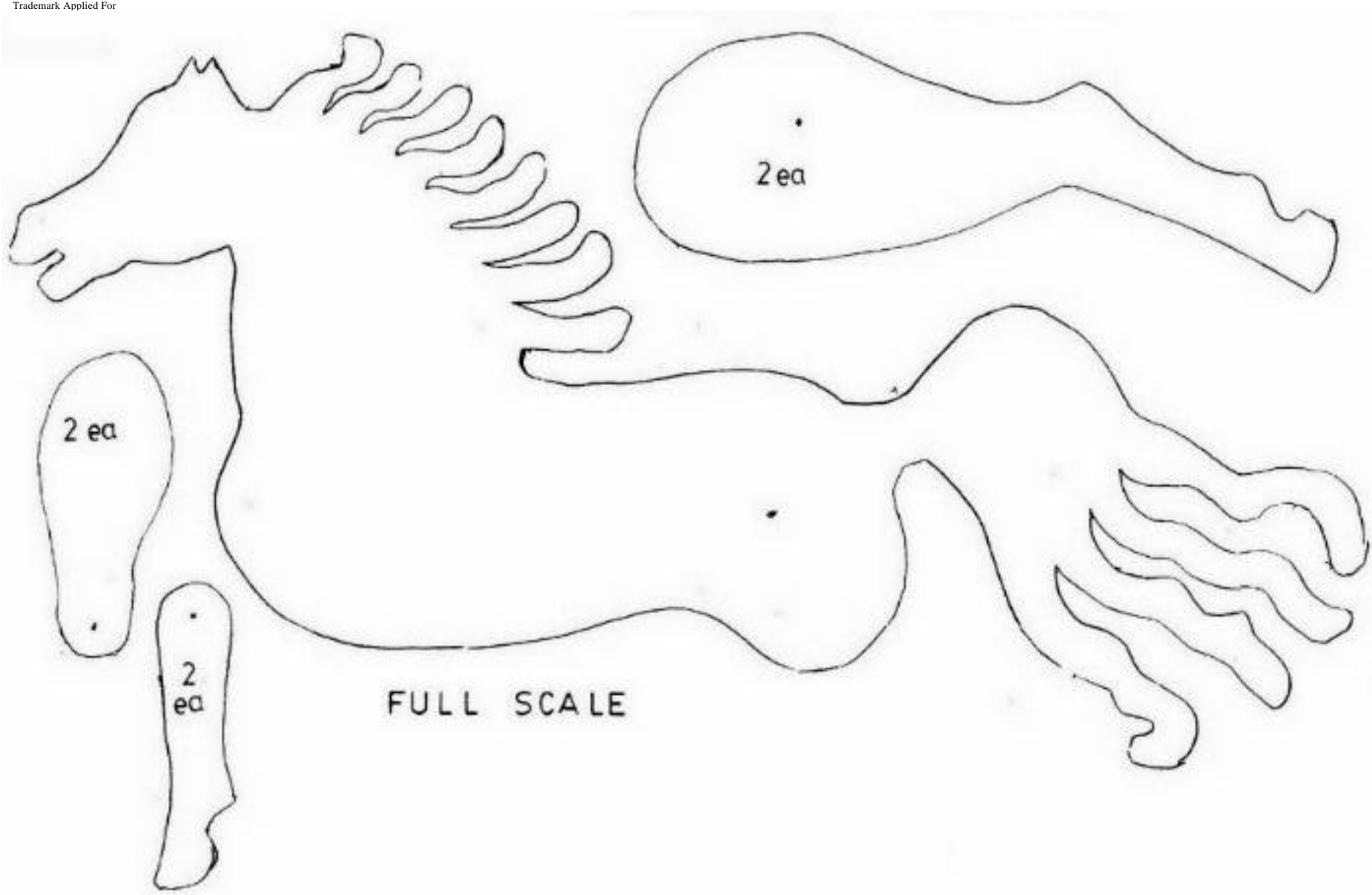


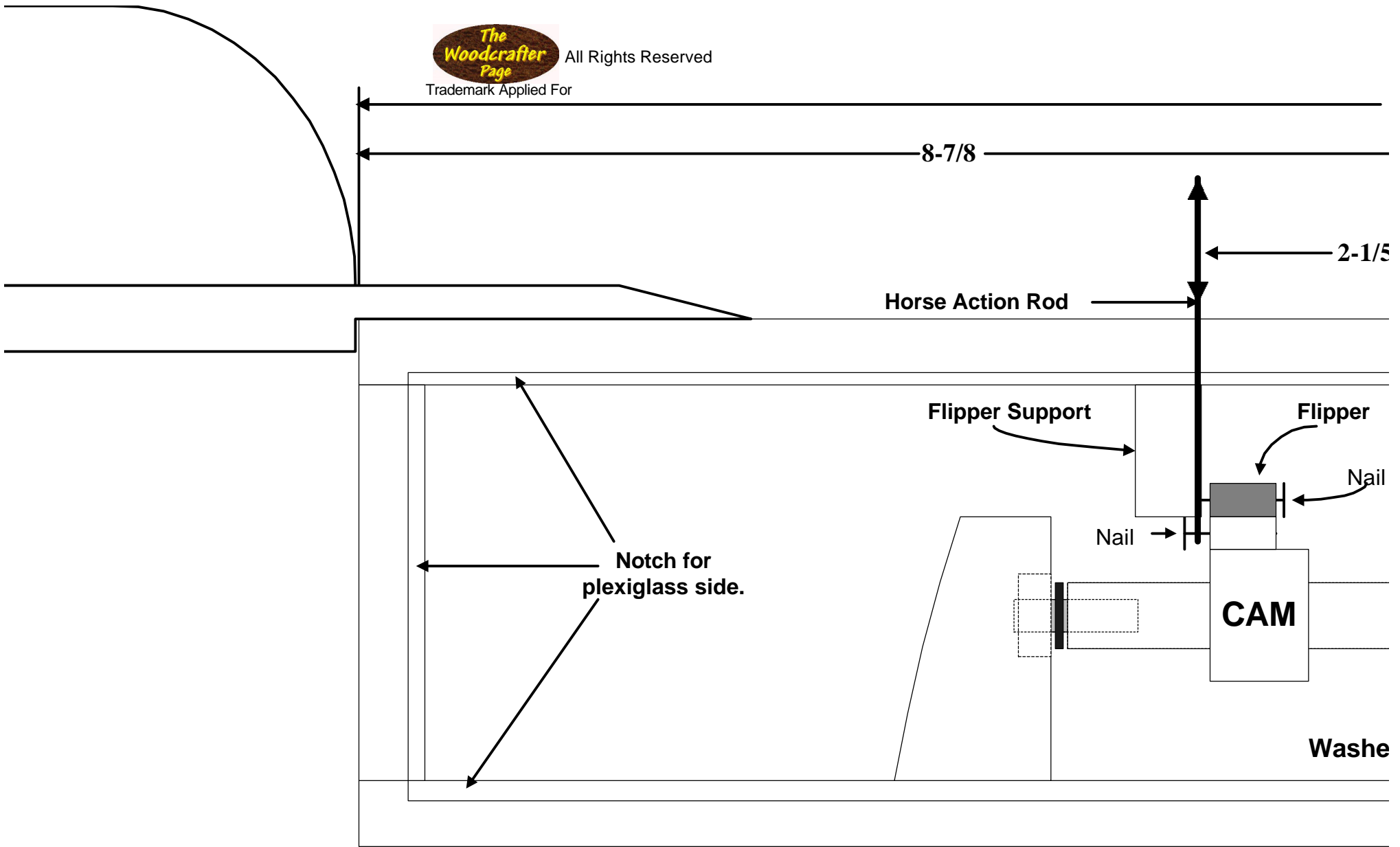
Trademark Pending

©All Rights Reserved

FULL SCALE

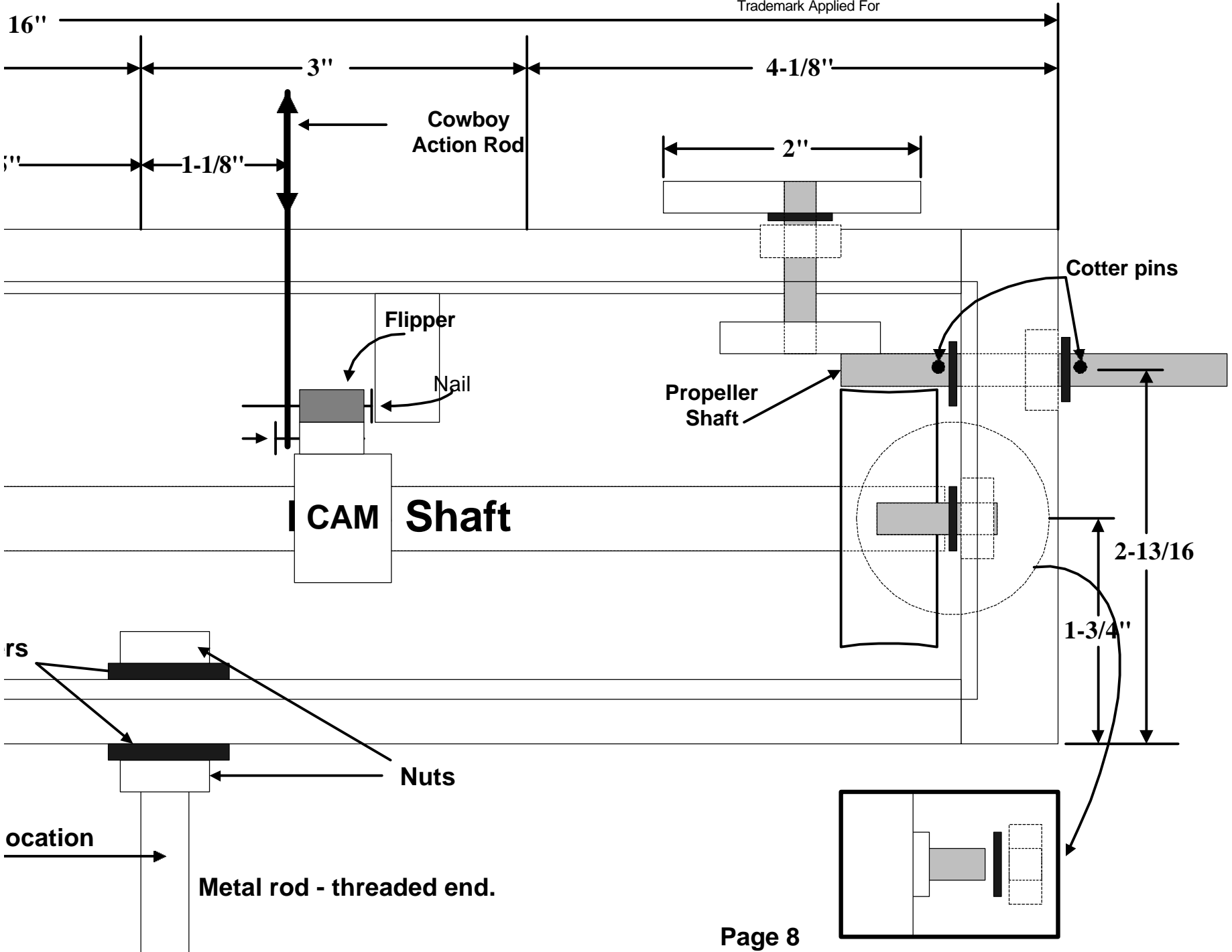






Not Necessarily To Scale

← Test for balanced I

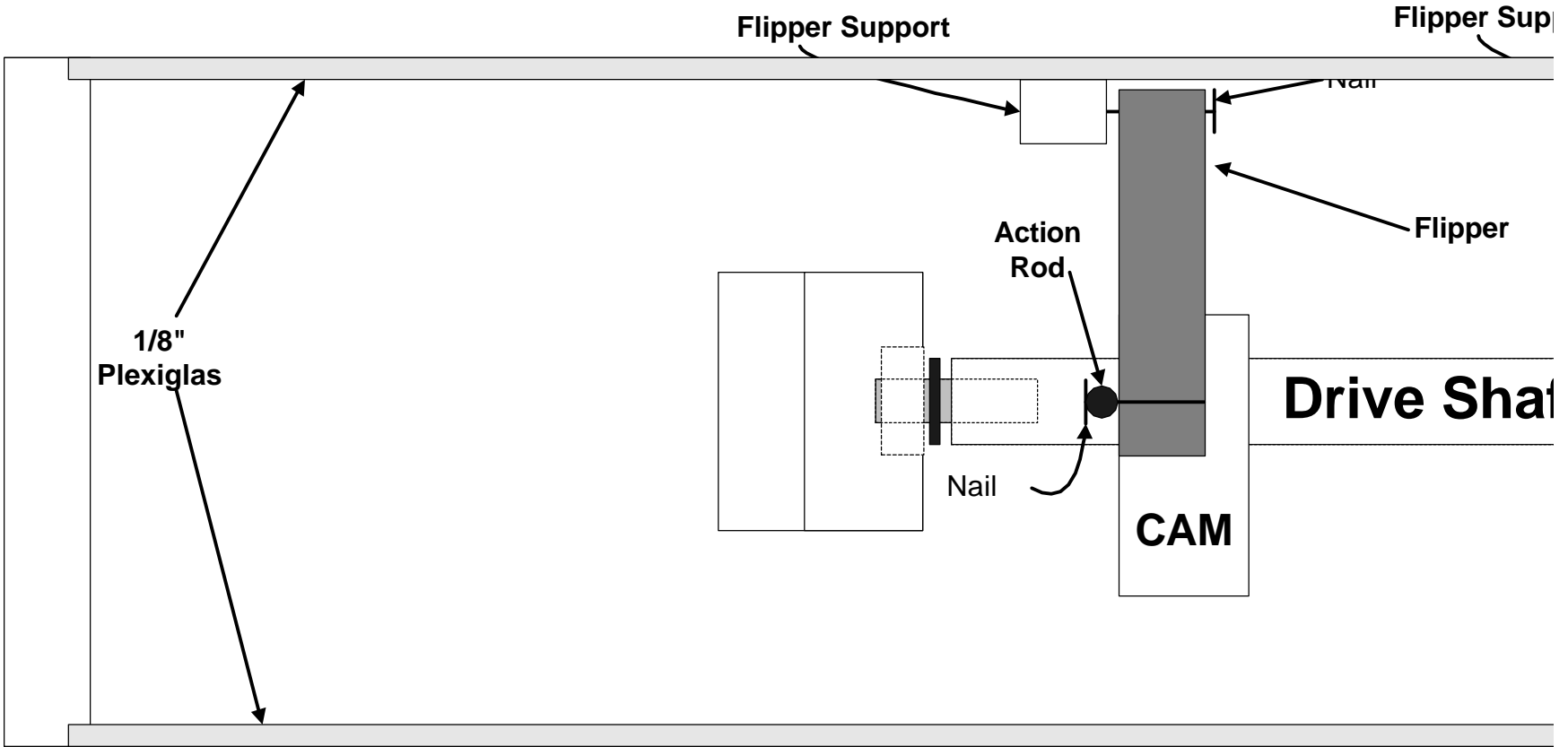


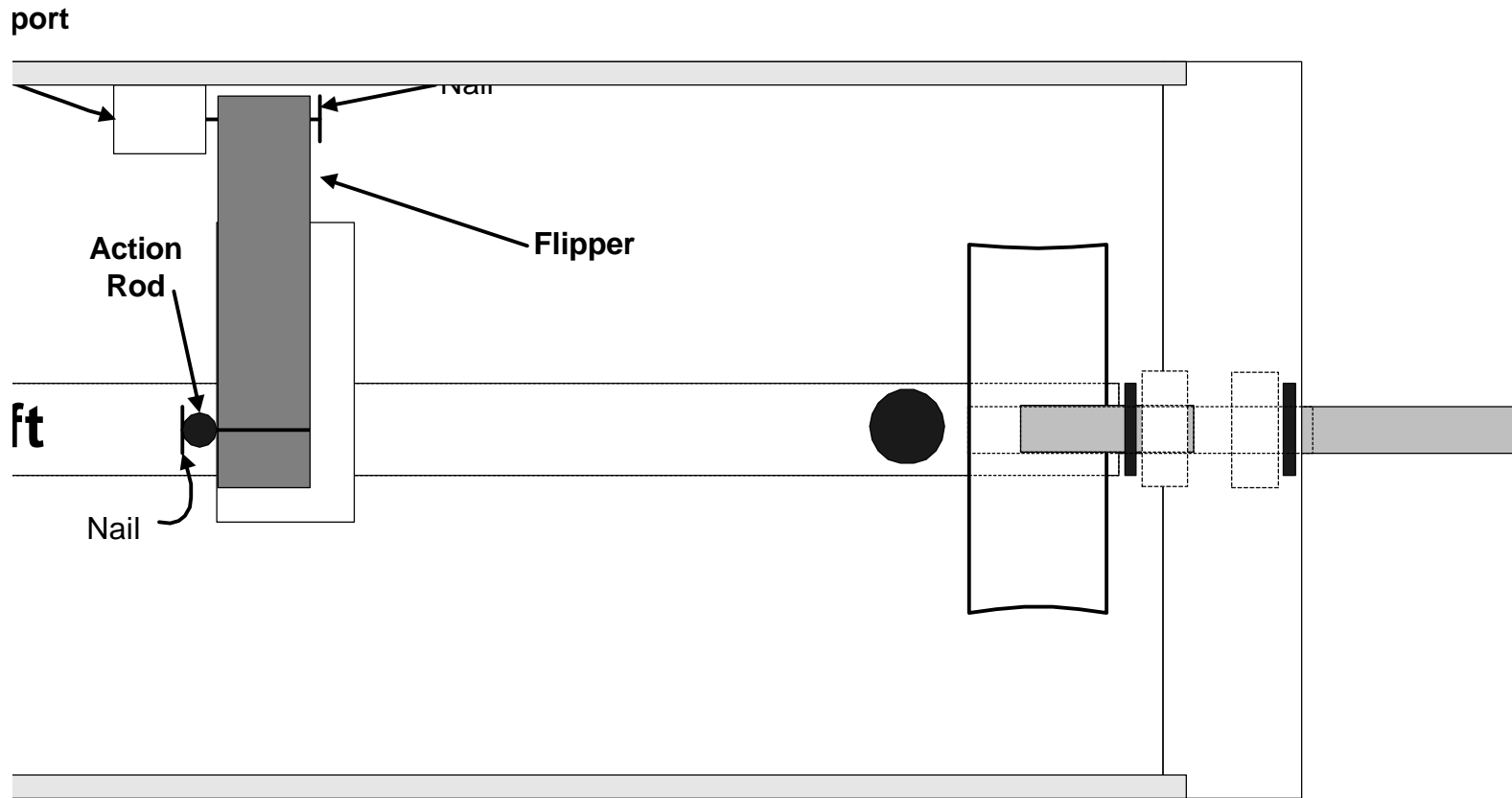
Not Necessarily To Scale



End View Top / Bottom -
Top view - Front & Back

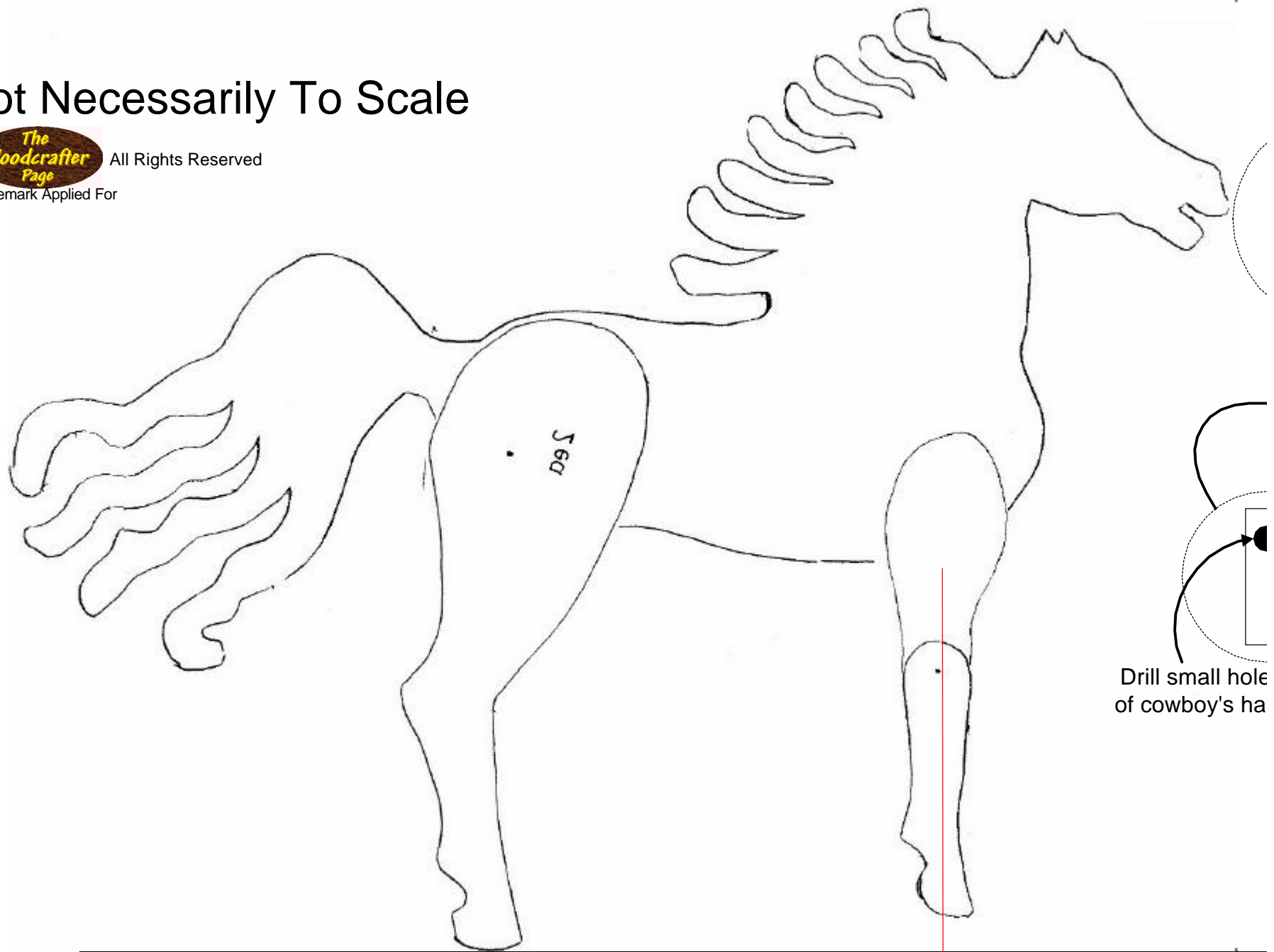
1/8" notch for
plexiglas sides.



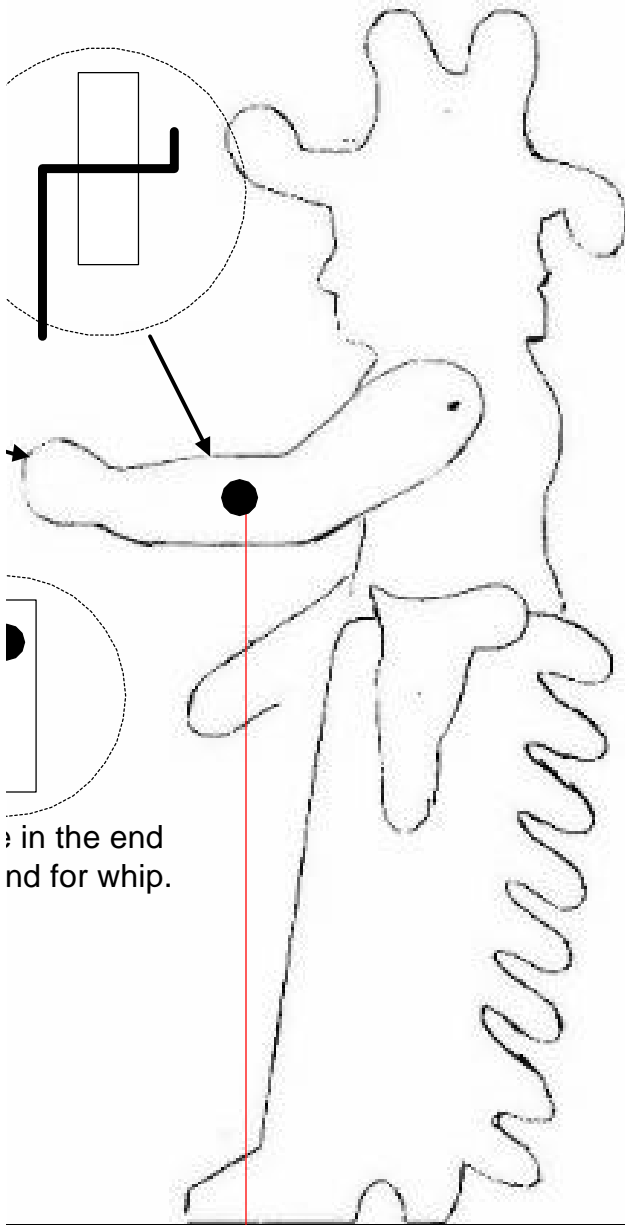


Not Necessarily To Scale

The Woodcrafter Page All Rights Reserved
Trademark Applied For

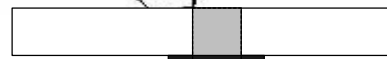
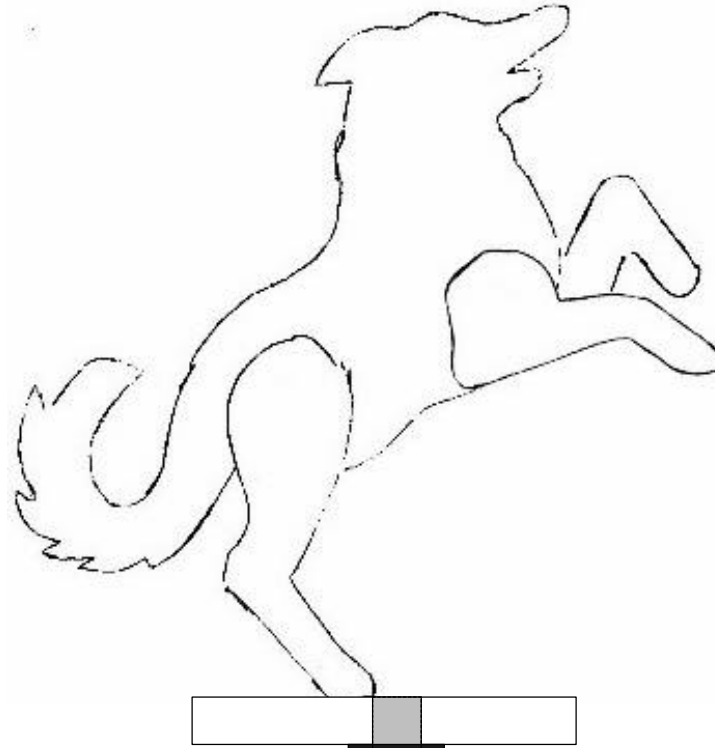
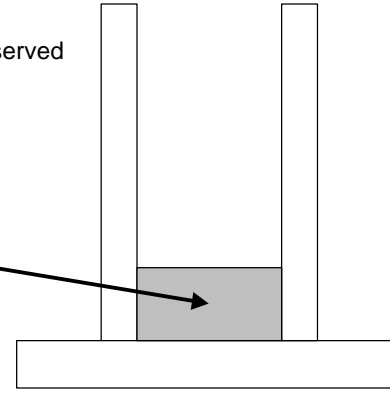


Drill small hole of cowboy's ha



in the end
nd for whip.

Mounting blocks for
cowboy, dog & horse.



Not Necessarily To Scale

Rudder



Notch in dowel

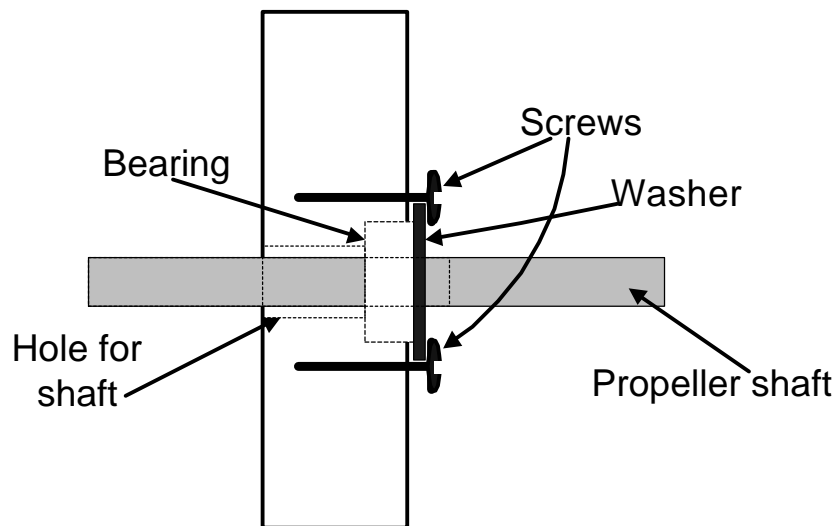
1/2" dowel



All Rights Reserved

Trademark Applied For

Propeller Mounting Detail



Pole Mounting Detail

