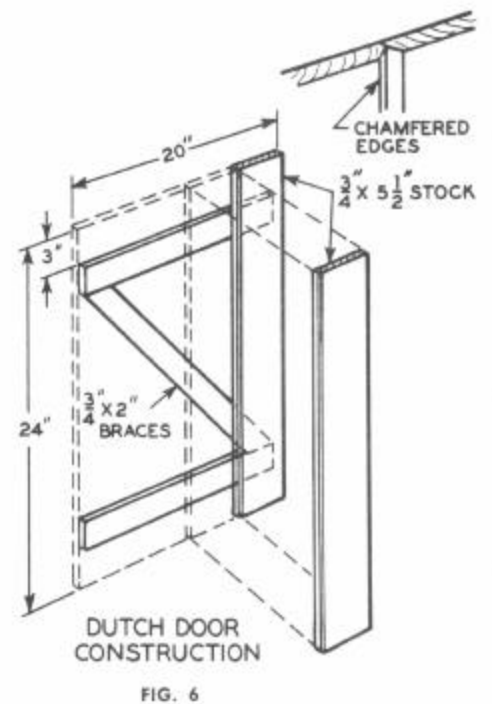
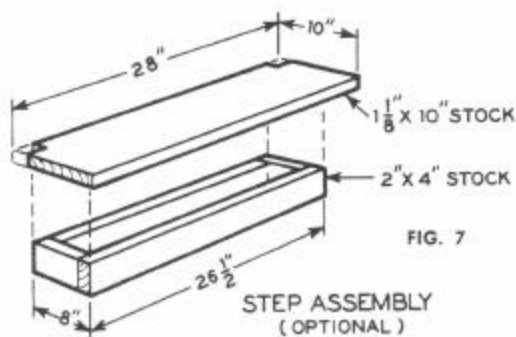
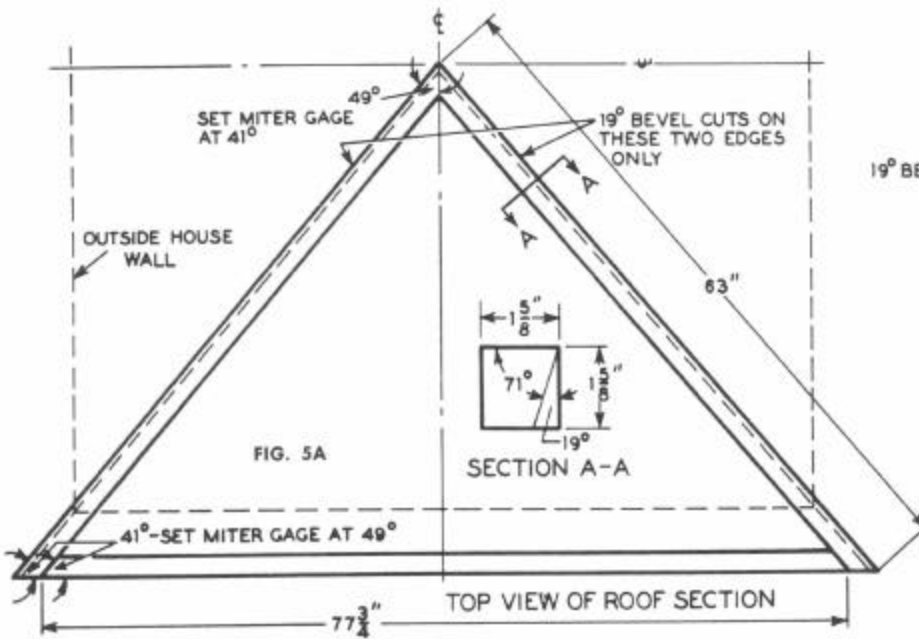
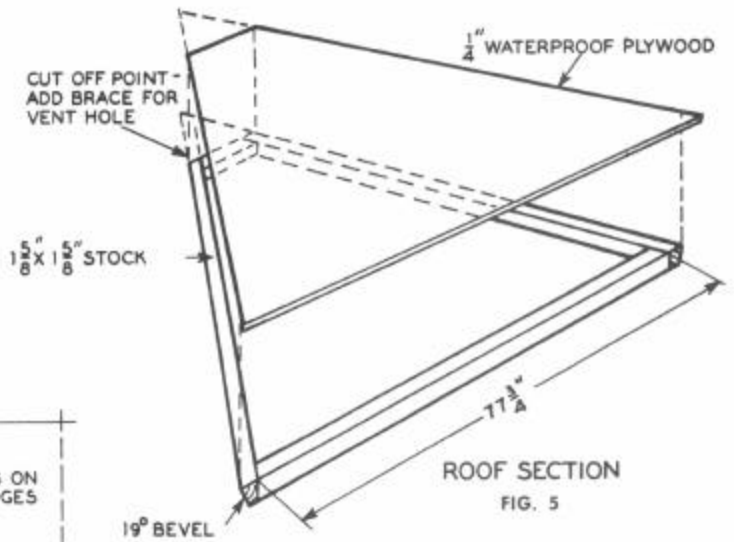
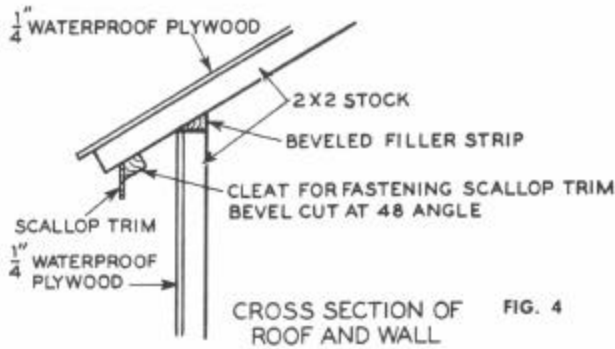
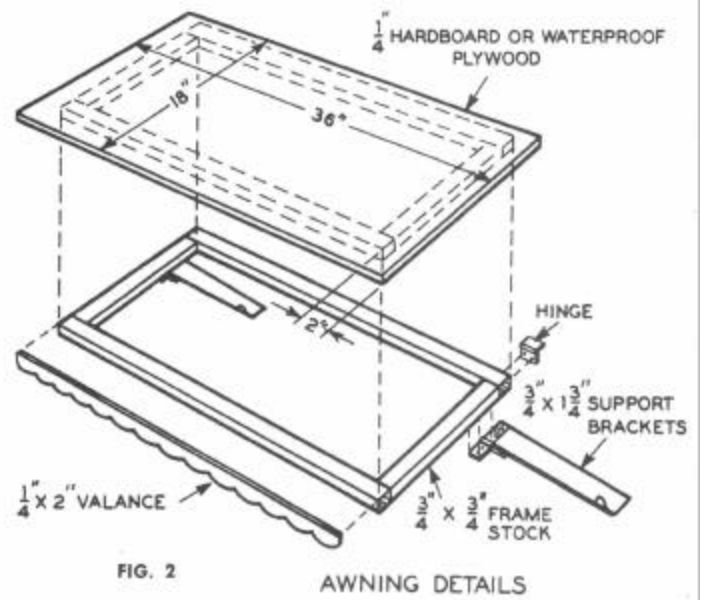
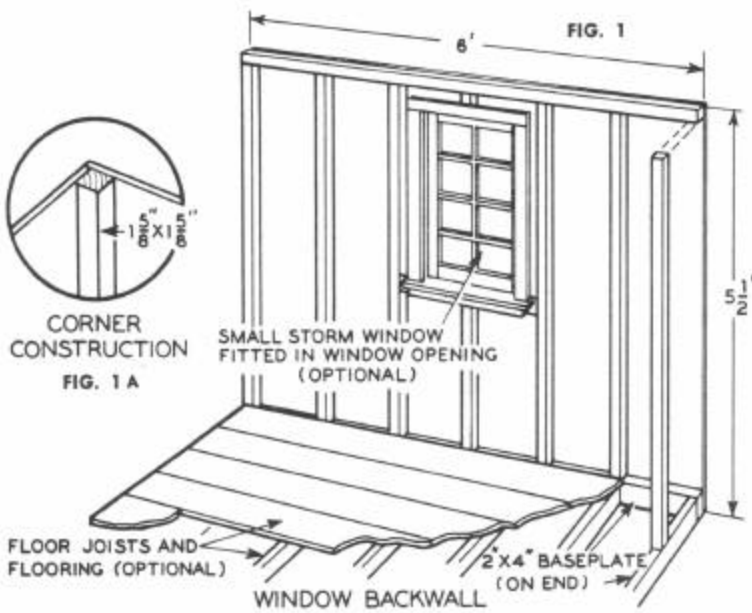


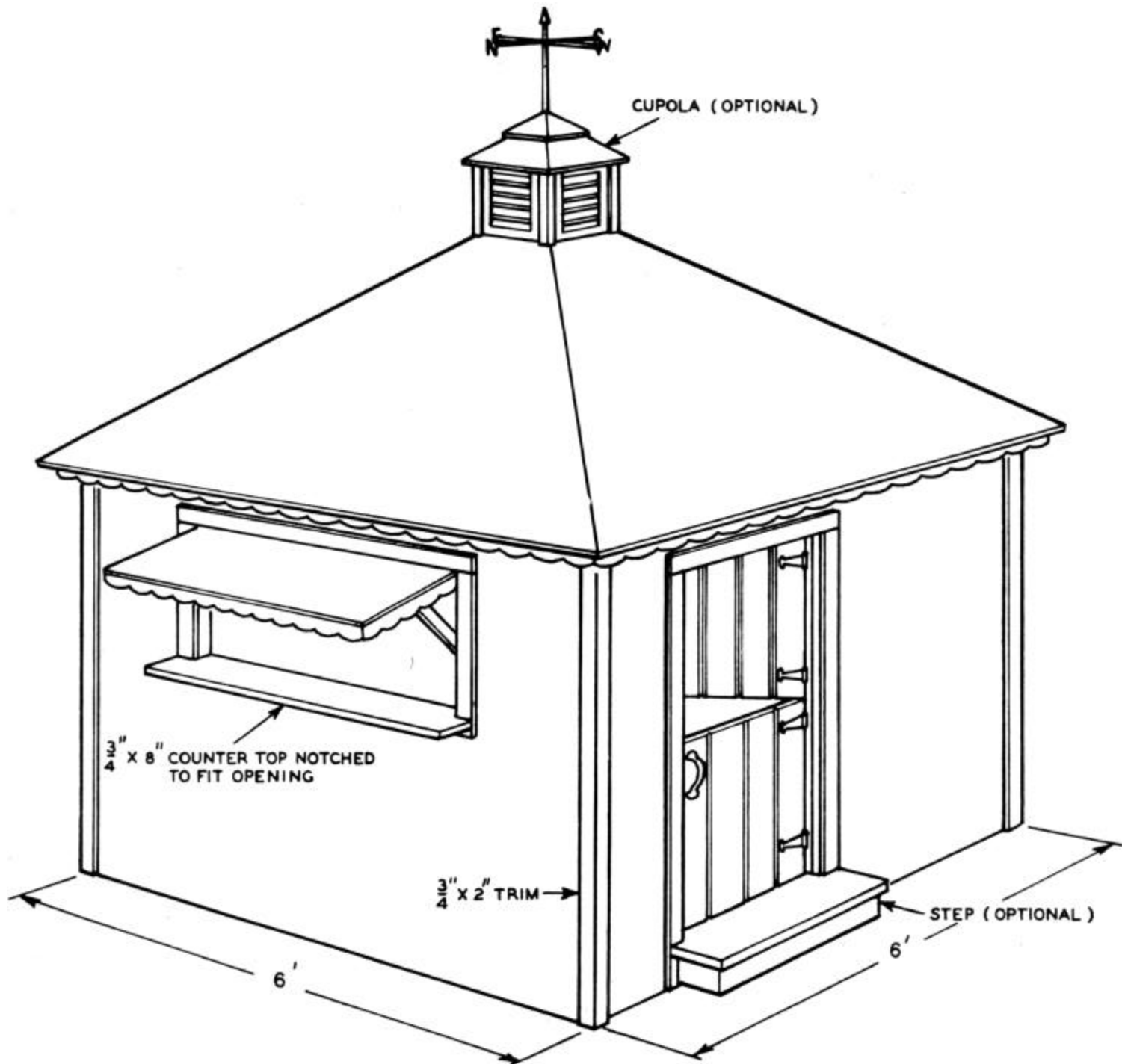
*Here is a set of
Project Plans
from*



Copyright © 2004

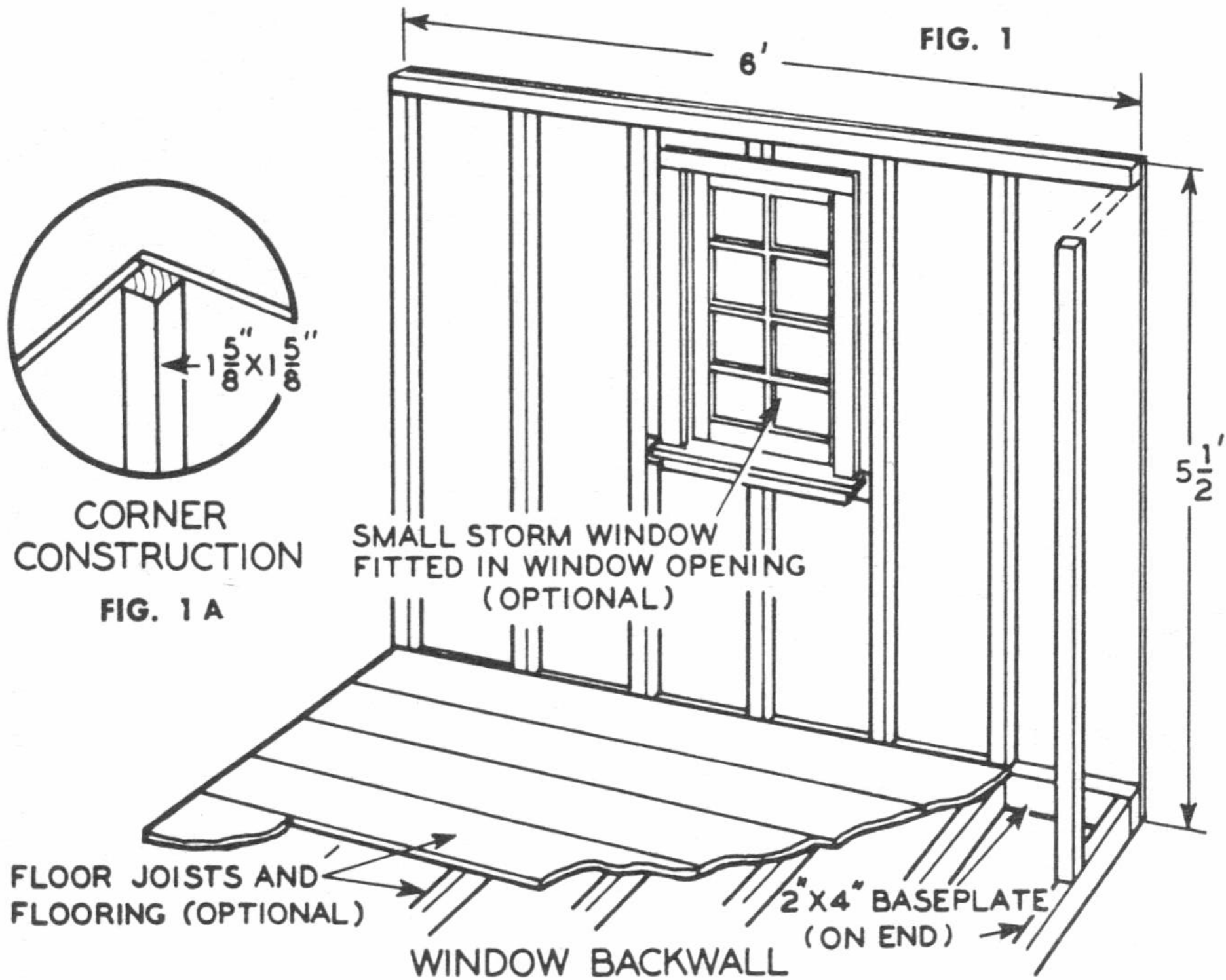
All Rights Reserved





PLAN VIEW

FIG. 3



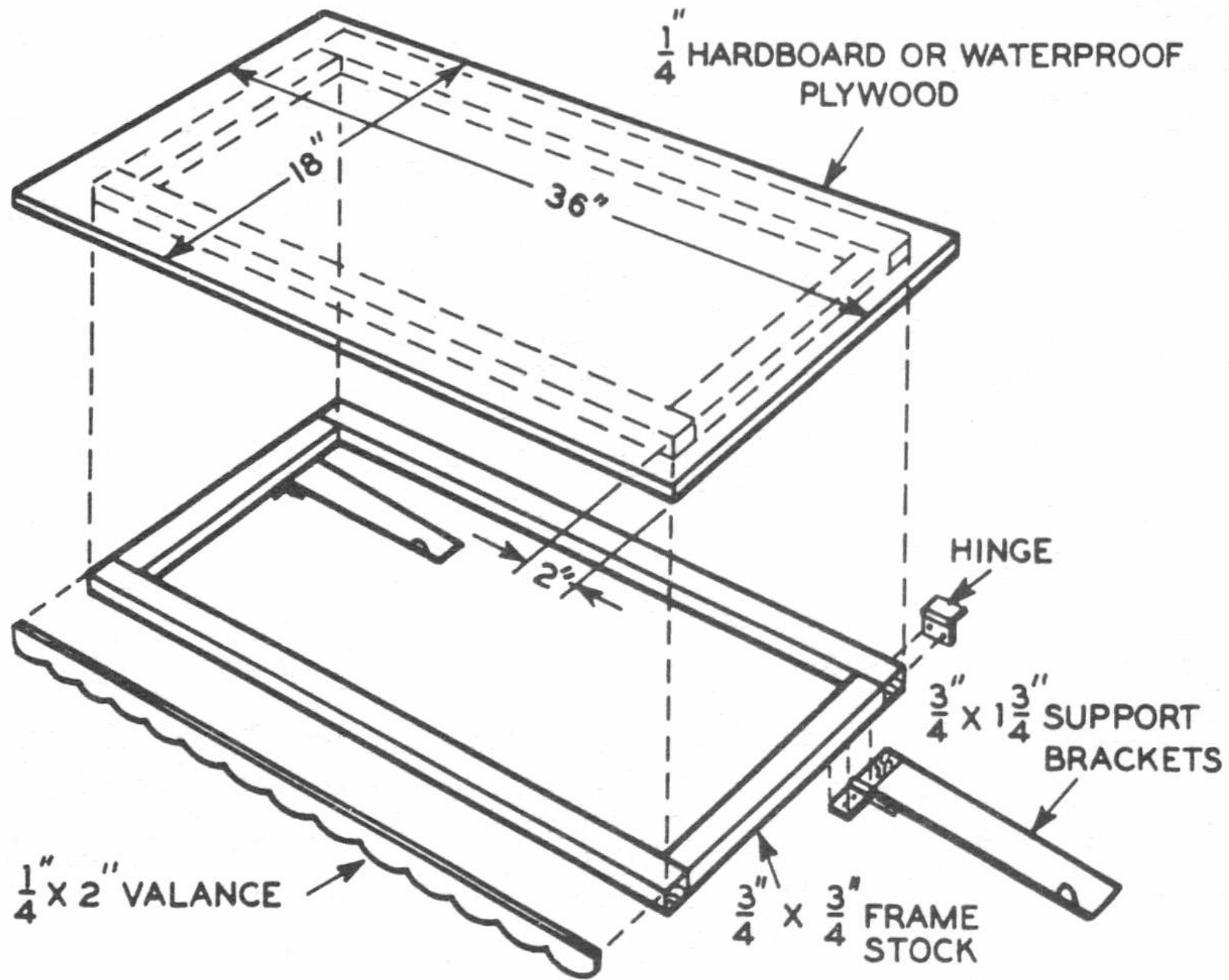


FIG. 2

AWNING DETAILS

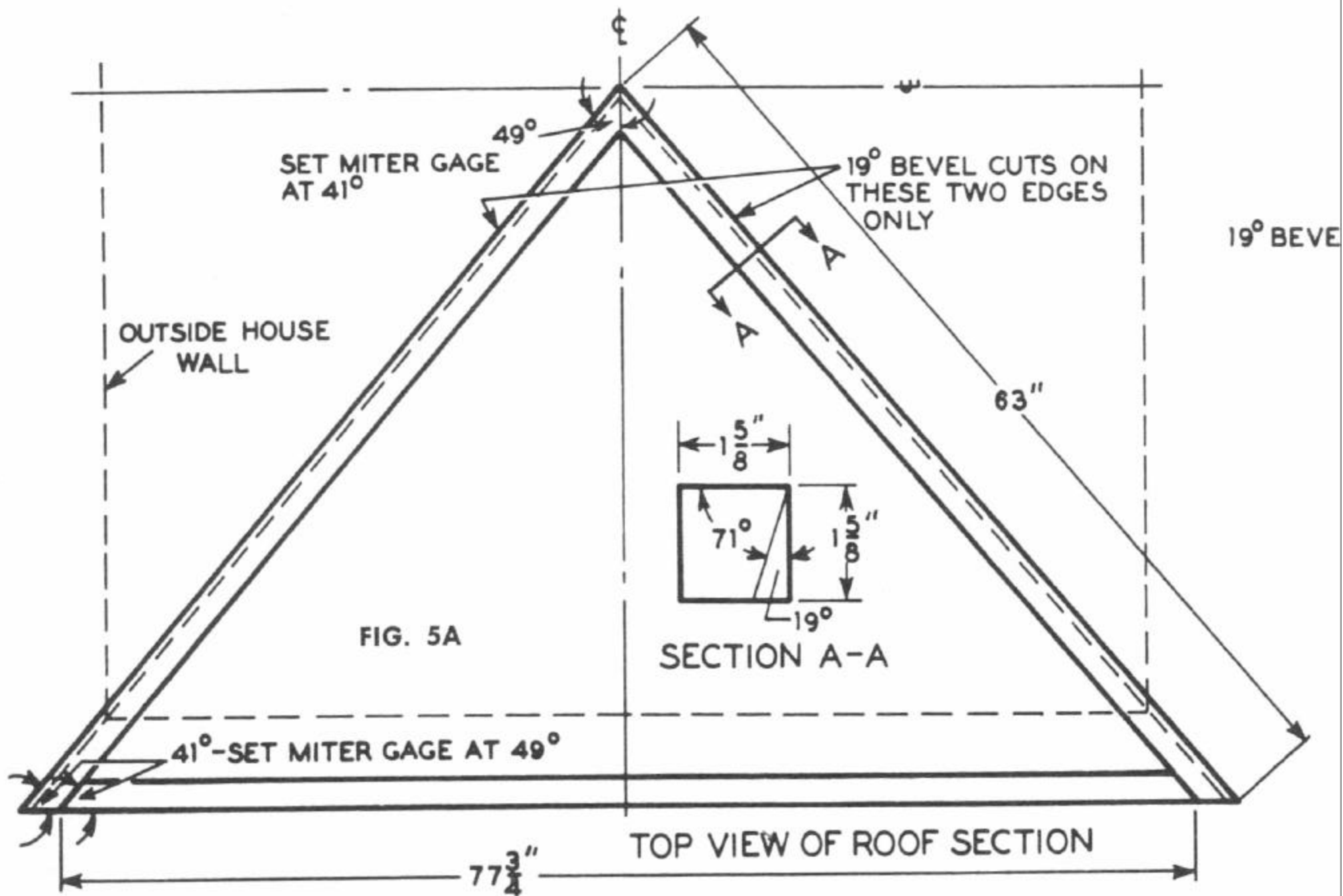
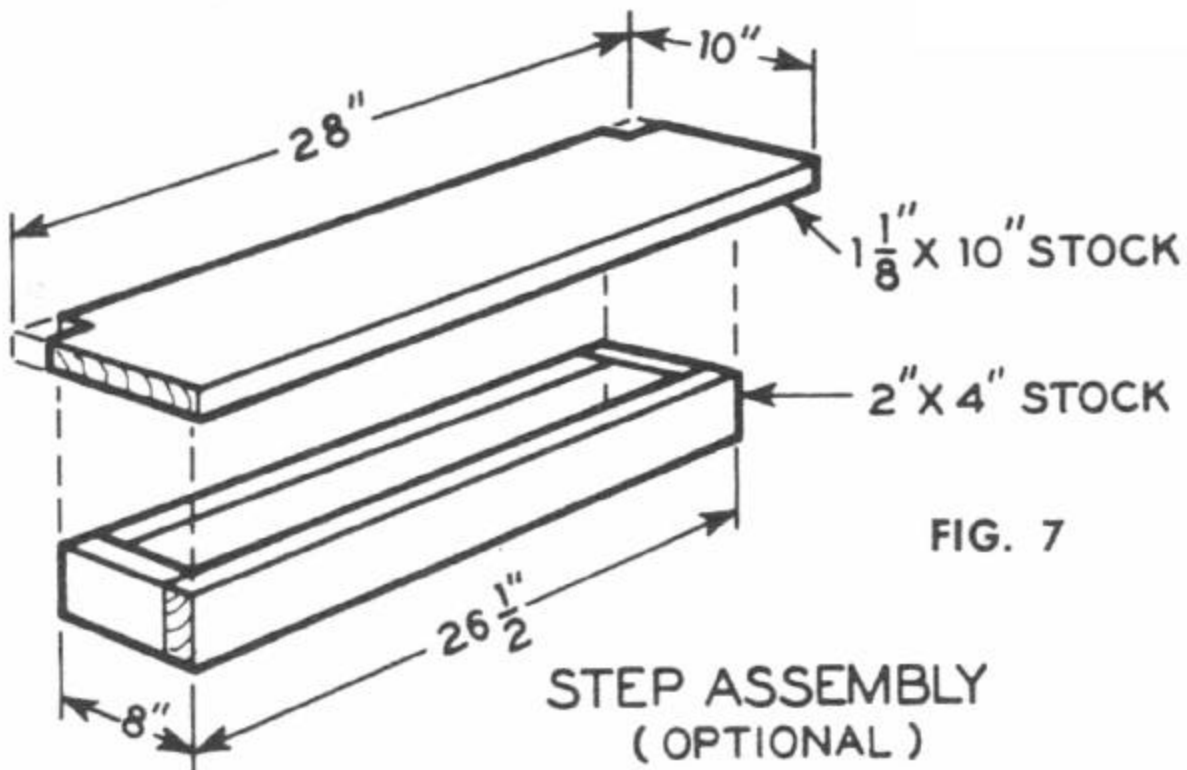
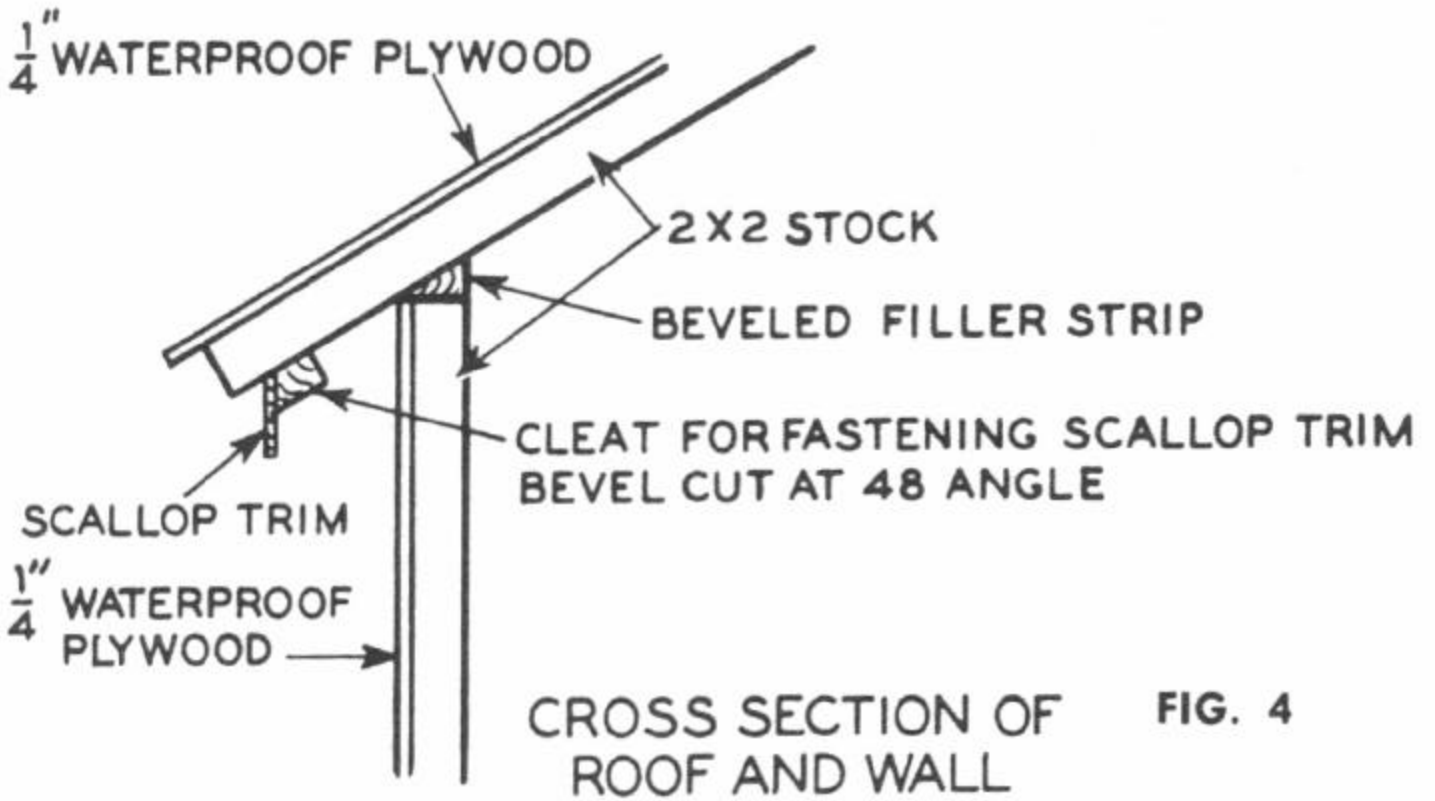
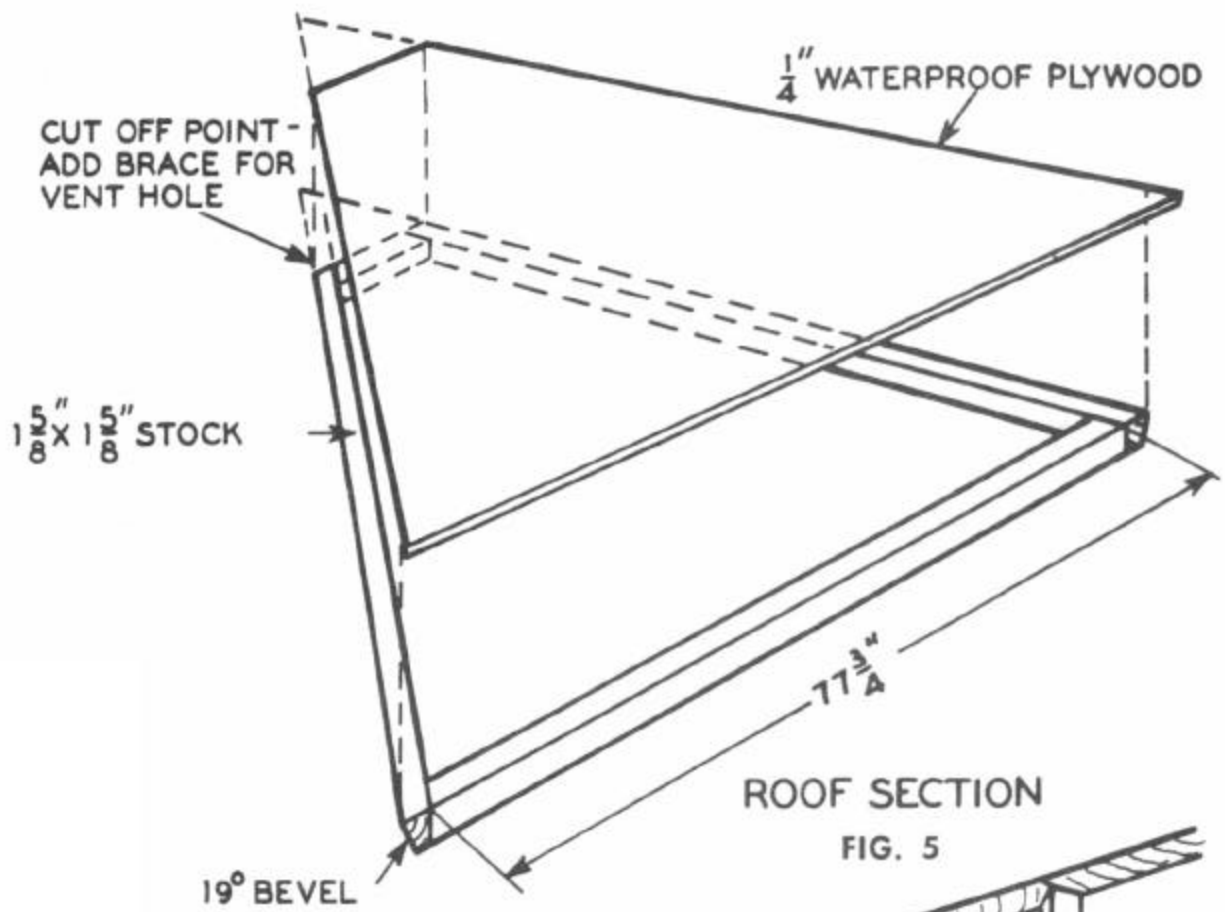


FIG. 5A

SECTION A-A

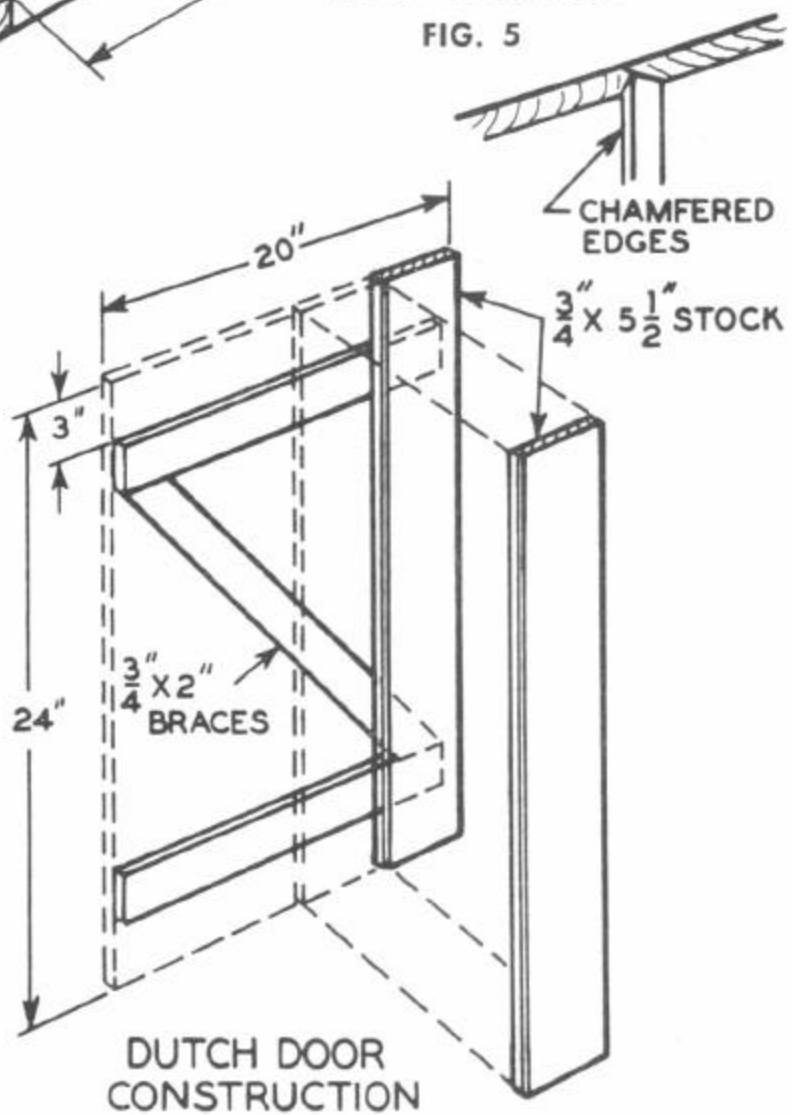
TOP VIEW OF ROOF SECTION





ROOF SECTION

FIG. 5



DUTCH DOOR CONSTRUCTION

FIG. 6